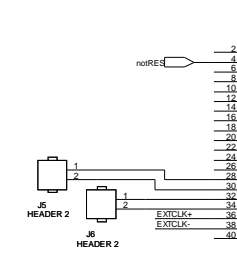
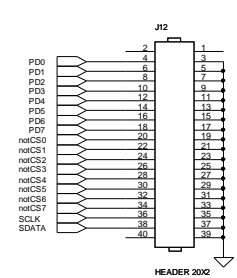
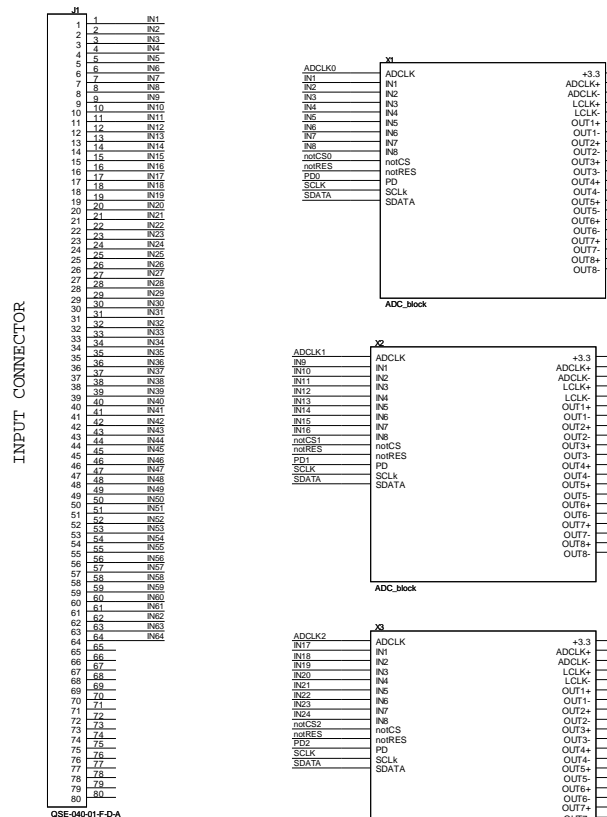


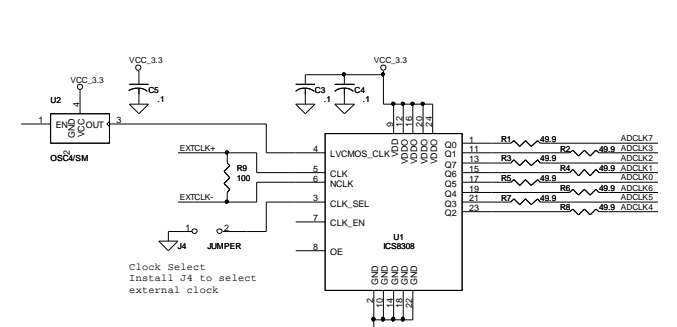
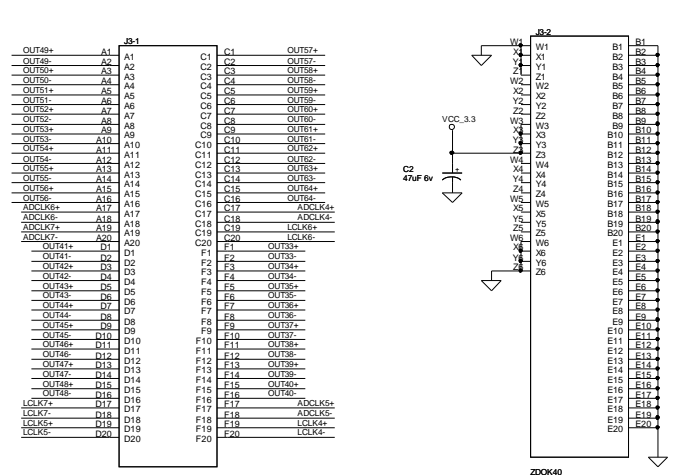
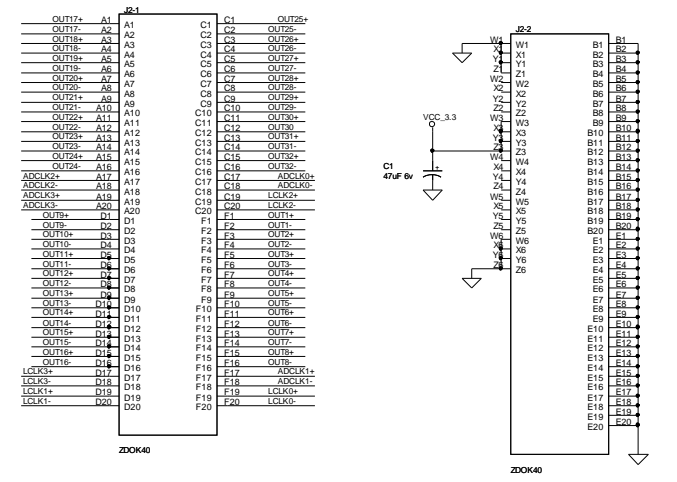
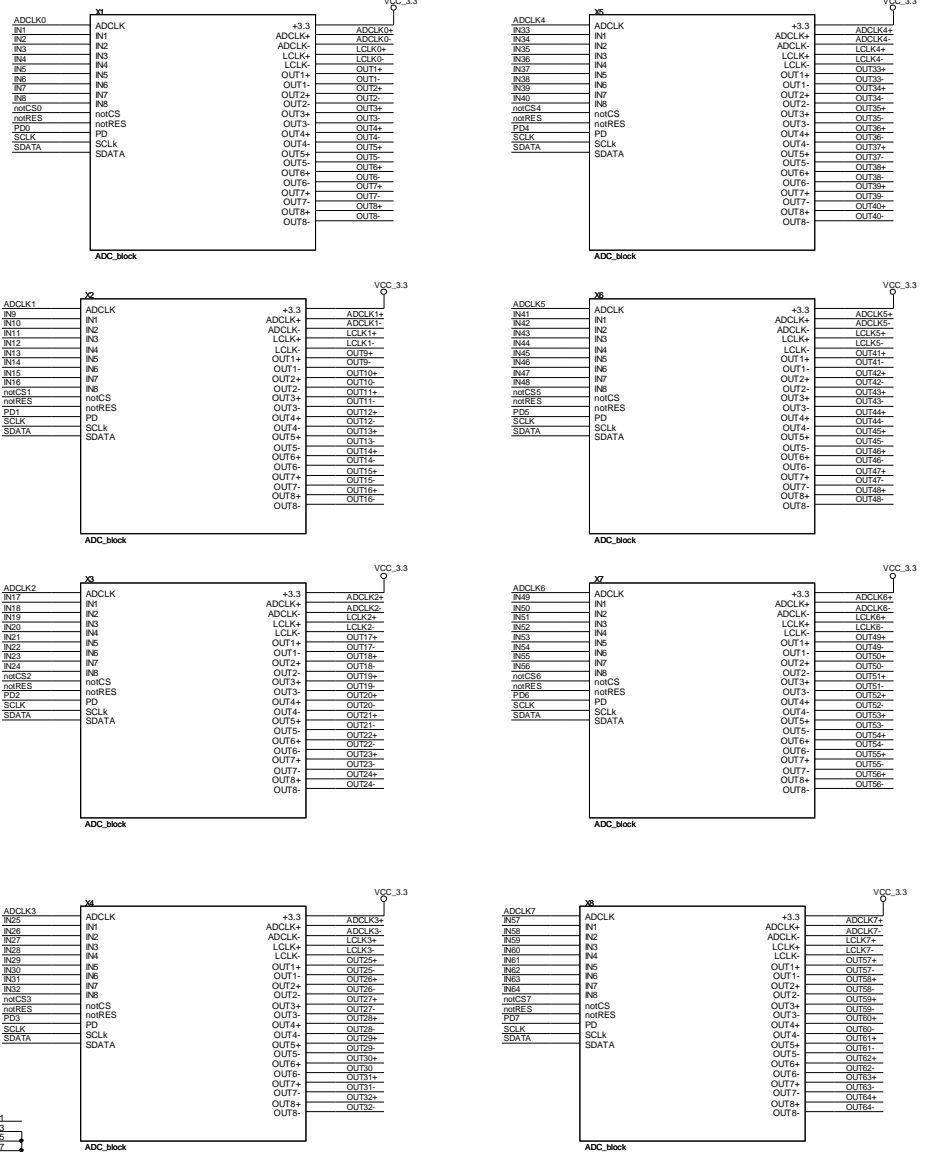
INPUT CONNECTOR



CONTROL INTERFACE TO MINIROACH



EIGHT OCTAL ADC BLOCKS



CLOCK DISTRIBUTION

revB pinout swaps per layout 9/14/7